



Effects of power line regulation: Up to  $\pm 0.1\%$  of span for a supply voltage range of 85 to 264 V AC (47 to 63 Hz), 85 to 264 V DC or 12 to 36 V DC  
 Effects of ambient temperature variations: Up to  $\pm 0.4\%$  of span per 10°C  
 Current consumption: 100 mA at 24 V DC  
 Power consumption: 4.5 VA at 100 V AC; 6.4 VA at 200 V AC

**Conformance to EMC Standards**

Applicable EMC standard: EN61326  
 CE-certified models mean those which are CE certified on condition that they be operated over a supply voltage range of 15-30 V DC  $\pm (\pm 20\%)$  only.

**Mounting and Appearance**

Material: ABS resin (casing)  
 Mounting: Wall mounting, DIN rail mounting, or mounting on a side-by-side multiple mounting base  
 Connection: Terminals with M3 size screws  
 External dimensions: 76 (H)  $\times$  29.5 (W)  $\times$  124.5 (D) mm  
 Weight: Main unit = approx. 148 g; socket = approx. 51 g

**Accessories**

Tag number label: One

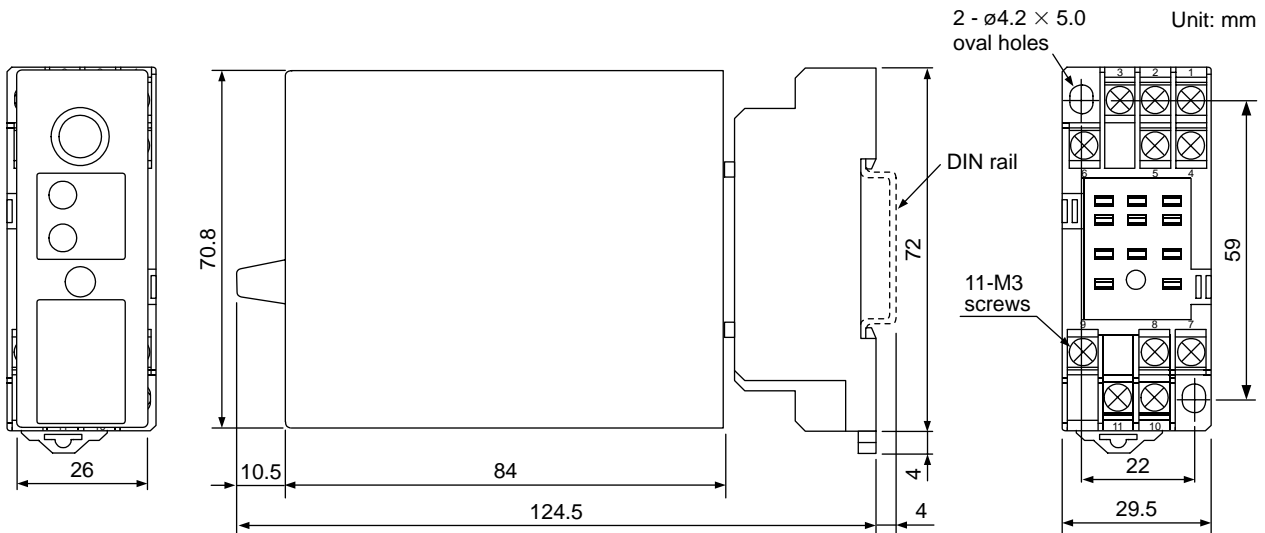
**Customized Signal Specifications**

Table 1 Manufacturable Ranges

	Current Signal	Voltage Signal
Output range	0 to 24 mA DC	-10 to +10 V DC
Span	1 to 24 mA DC	10 mV to 20 V DC
Zero elevation	0 to 200%	-100% to +200%

T01.EPS

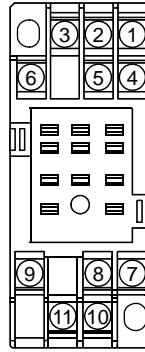
**External Dimensions**



F05.EPS

• The information covered in this document is subject to change without notice for reasons of improvements in quality and/or performance.

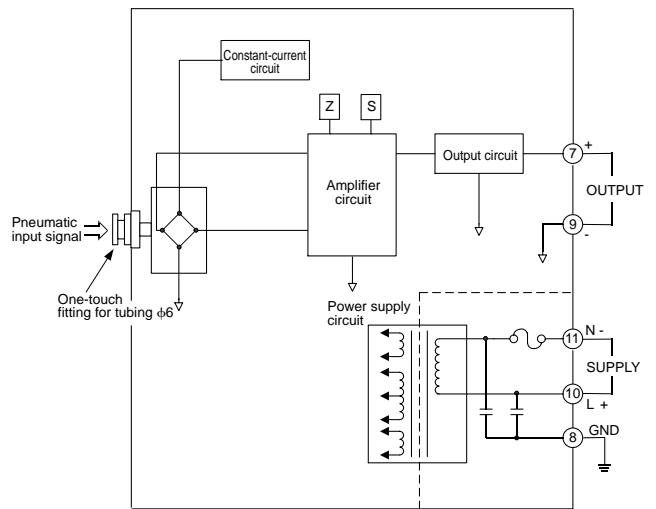
**Terminal Assignments**



1	N.C.
2	N.C.
3	N.C.
4	N.C.
5	N.C.
6	N.C.
7	OUTPUT (+)
8	GND
9	OUTPUT (-)
10	SUPPLY (L+)
11	SUPPLY (N-)

F03.EPS

**Block Diagram**



F04.EPS